

Hydro Jet™ Series Jet Assemblies

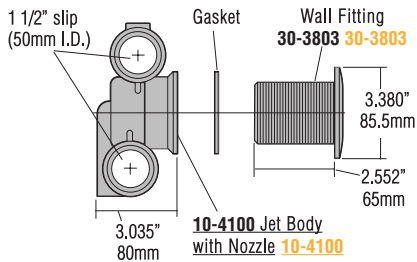
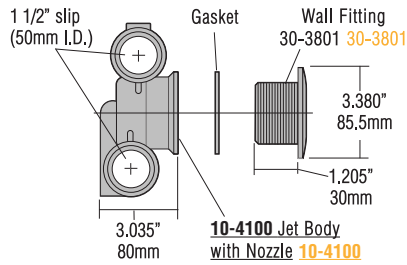
SPECIFICATIONS:

Output : 13 GPM, 12 psi, 3/8" Nozzle
1.5 m³/h @ 7m H₂O

Hole Size: Use 2 3/8" hole saw

Options: Wrench 30-3801W
Hand Held 16-5303
Nozzle 10-4707
Orifice 30-4104PVC

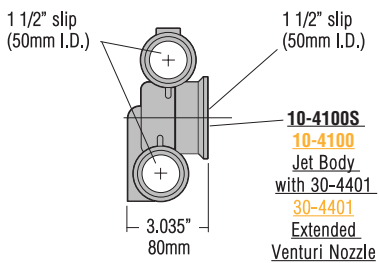
Stacked Jet Assemblies



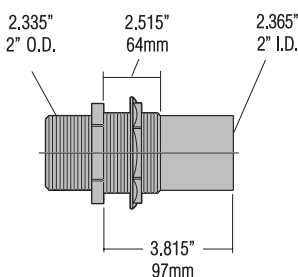
SPECIFICATIONS:

Output : 13 GPM, 12 psi, 1/2" Nozzle
Pipe Size: 1 1/2" PVC

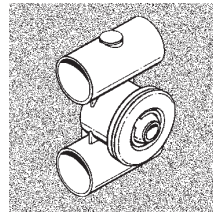
Options: Wall Fitting Assembly 50-3420
Hand Held 16-5303



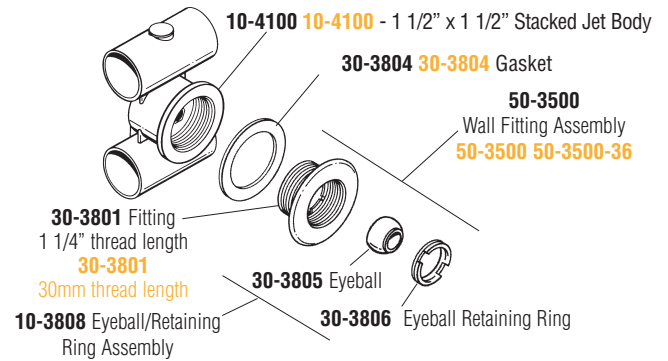
SPECIFICATIONS:



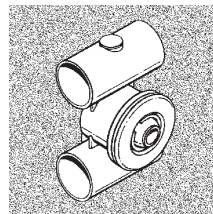
Hydro Jet™ 1 1/4" Fitting Thread Length



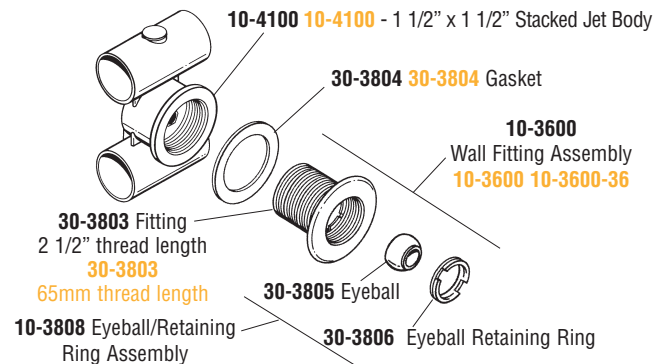
10-5100
includes: 10-4100
Stacked Jet Assembly &
50-3500 Wall Fitting
Assembly



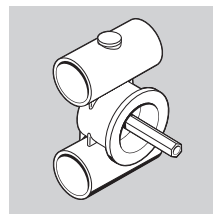
Hydro Jet™ 2 1/2" Fitting Thread Length



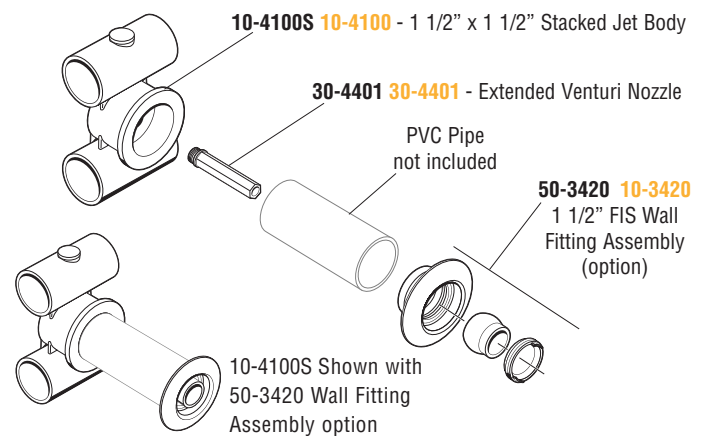
10-5300
includes: 10-4100
Stacked Jet Assembly
& 10-3600 Wall Fitting
Assembly



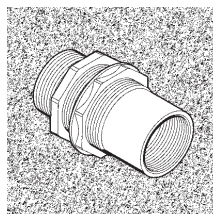
Hydro Jet™ For 1 1/2" PVC Pipe Extension



10-4100S includes:
30-4401 Extended
Venturi Nozzle
(Wall Fitting not included)
10-4100



Hydro Jet™ Extension - For Gunite / Hot Mop



10-4400 includes:
Extension Body, and
Extended Nozzle (30-4401)
10-4400

